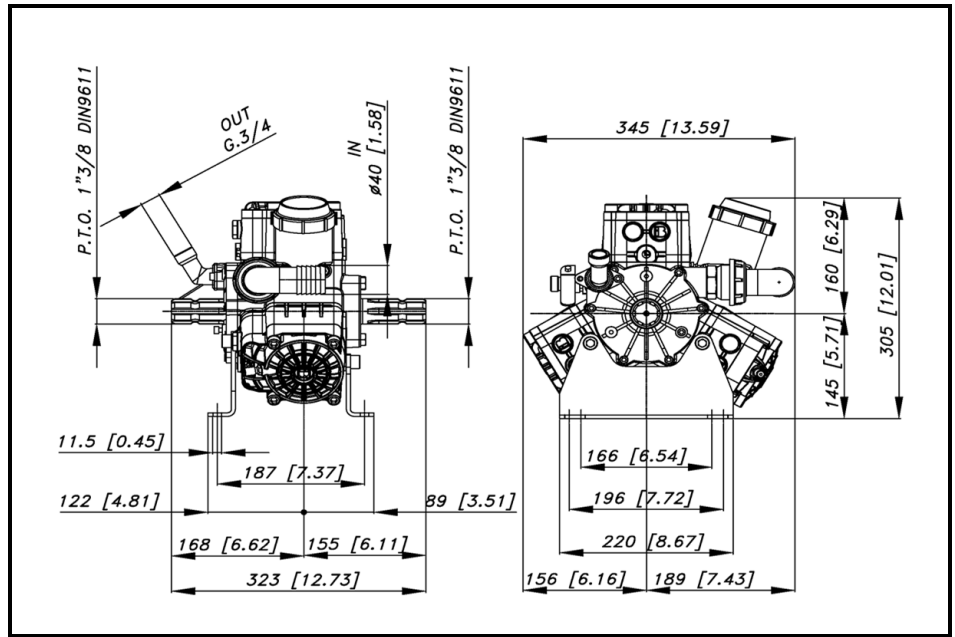
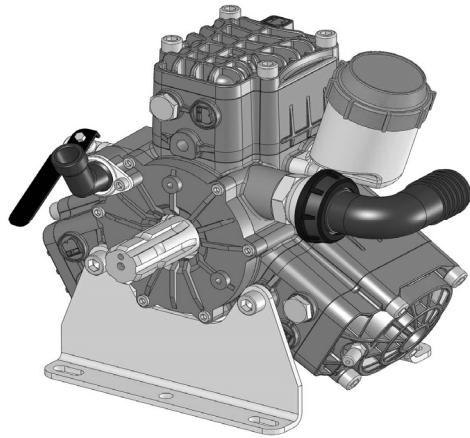
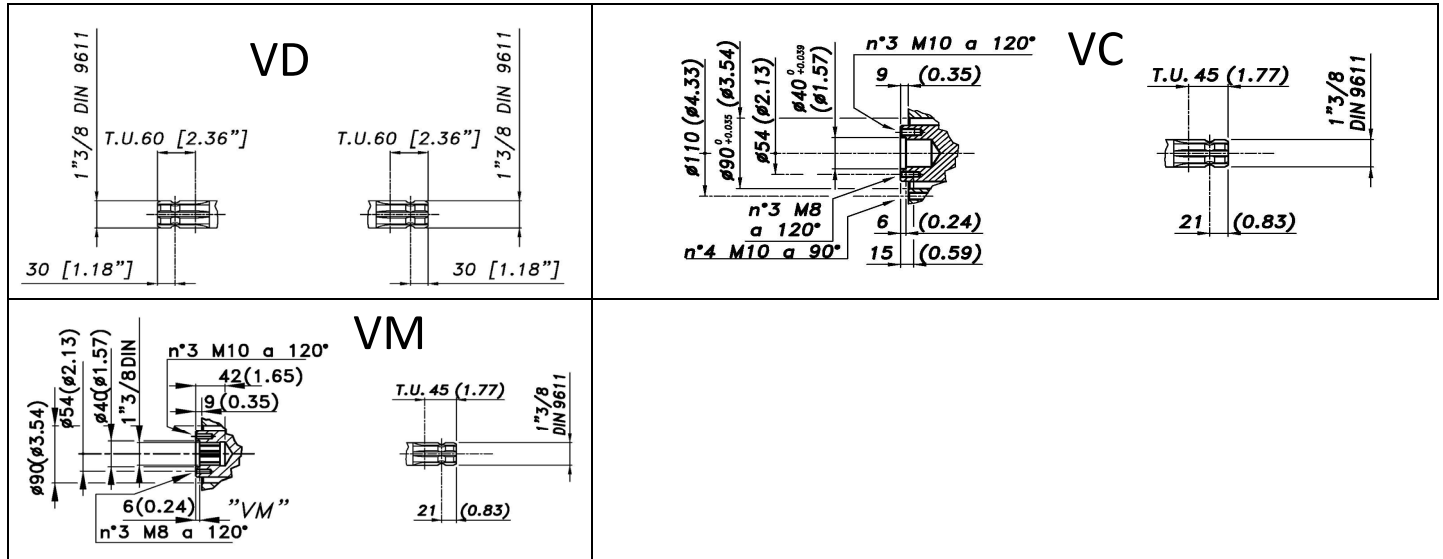


DIMENSIONI D'INGOMBRO - OVERALL DIMENSIONS



ALBERO POMPA VD - VD PUMP SHAFT



COPPIA DI SERRAGGIO - TORQUE CHART

CODICE - CODE	Q.TY	POS	N·m	Lbr.ft
86.3201.00.2	8	7	44	32.5
85.2579.53.2	2	10	44	32.5
23.0043.98.3	3	14	12	8.9
86.2108.00.2	2	30	10	7.4
86.3696.00.2	4	31	68	50.2
85.2585.00.2	1	32	44	32.5
86.2216.00.2	6	34	10	7.4
86.3638.00.2	4	41	44	32.5
86.3185.00.2	4	56	44	32.5
86.2683.00.2	2	63	8	5.9

Tolleranza di serraggio: 0/-10%
Tolerance on torque value:

INFORMAZIONI UTILI
USEFUL INFORMATION

LUBRIFICANTE - LUBRICANT: OLIO MOTORE O SEMIDRAULICO SAE 30 MOTOR OIL OR SEMI-HYDRAULIC OIL SAE 30				
PRESSIONE ACCUMULATORE ACCUMULATOR PRESSURE				
PRESSIONE DI LAVORO - OPERATING PRESSURE	2 + 5	5+10	10 + 20	20 + 50
ACCUMULATORE ACCUMULATOR	2	2 + 5	5 + 7	6 + 8

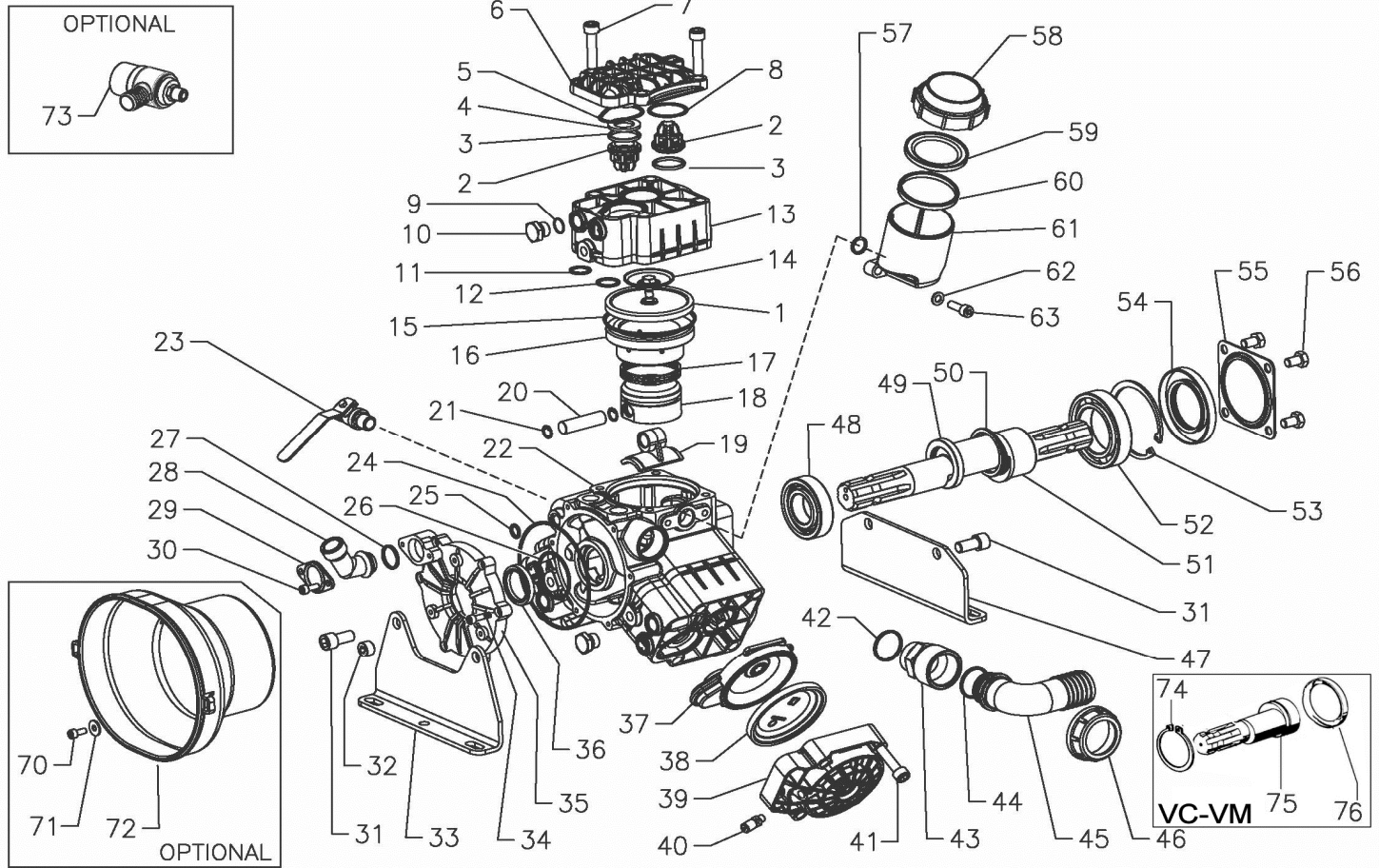
KIT MEMBRANE - DIAPHRAGMS KIT

KIT	23.9907.97.3	BUNA - N				23.9908.97.3	DESMOPAN				23.9909.97.3	VITON								23.9910.97.3	PENTAX				
POSIZIONE ESPLOSO POSITION NUMBER		1	11	12	38		1	11	12	38		1	11	12	3	5	8	24	26	38		1	11	12	38
QUANTITA' NEL KIT QUANTITIES INCLUDED		3	4	3	1		3	3	3	1		3	4	3	6	3	3	1	1	1		3	3	3	1

KIT POMPA VD - KIT VALVOLE PUMP KIT VD - VALVES KIT

KIT	23.9911.97.3	KIT POMPA VD PUMP KIT VD								23.9915.97.3	KIT POMPA VC-VM PUMP KIT VC-VM								23.9912.97.3	KIT VALVOLE VALVE KIT			
POSIZIONE ESPLOSO POSITION NUMBER		54	36	11	12	3	5	8	15		76	36	11	12	3	5	8	15		2	3	5	8
QUANTITA' NEL KIT QUANTITIES INCLUDED		1	1	4	3	6	3	3	3		1	1	4	3	6	3	3	3		6	6	6	6

PA-S 930



POS.	CODICE PART NO. REF.	DENOMINAZIONE - DESCRIPTION - DESCRIPTION	Q.TY
1	23.0011.31.2	PISTON DIAPHRAGM	3
1	23.0011.33.2	VITON PISTON DIAPHRAGM	3
1	23.0011.00.2	DESMOPAN PISTON DIAPHRAGM	3
1	23.0011.37.2	HPS PISTON DIAPHRAGM	3
2	23.9906.97.3	VALVE ASSY	6
3	80.3247.50.2	O-RING 3,53x28,17	6
3	80.3247.60.2	O-RING 3,53x28,17 (KIT VITON)	6
4	23.0318.68.2	SPACER	3
5	80.3209.20.2	O-RING 2,62x42,52	3
5	80.3209.30.2	O-RING 2,62x42,52 (KIT VITON)	3
6	23.0313.09.2	HEAD COVER	2
7	86.3601.00.2	SCREW M10x90 UNI 5931	8
8	80.3208.30.2	O-RING 2,62x36,14	3
8	80.3208.60.2	O-RING 2,62x36,14 (KIT VITON)	3
9	80.3065.00.2	O-RING 1,78x14	2
9	80.3065.10.2	O-RING 1,78x14 (KIT VITON)	2
10	85.2579.53.2	CAP G.3/8	2
11	80.3189.00.2	O-RING 2,62x18,72	4
11	80.3189.50.2	O-RING 2,62x18,72 (KIT VITON)	4
12	80.3195.00.2	O-RING 2,62x20,29	3
12	80.3195.05.2	O-RING 2,62x20,29 (KIT VITON)	3
13	23.0312.09.2	HEAD	3
14	23.0055.97.3	KIT DISK + SCREW INOX	3
15	80.3210.73.2	O-RING 2,62X94,92	3
16	23.0075.01.2	PISTON SLEEVE	3
17	81.8519.00.2	PISTON RING	6
18	23.0074.09.2	PISTON	3
19	23.0005.09.2	CONROD	3
19	23.0045.11.2	BRONZE CONROD (OPTIONAL)	3
20	85.2007.00.2	PISTON PIN	3
21	80.0021.00.2	RING	6
22	23.0203.09.2	CRANKCASE	1
23	84.5544.10.2	LEFT TAP G.3/8-G.1/2	1
24	80.3210.68.2	O-RING 2,62x120,32	1
24	80.3210.69.2	O-RING 2,62x120,32 (KIT VITON)	1
26	80.3209.80.2	O-RING 2,62x50,47	1
26	80.3209.85.2	O-RING 2,62x50,47 (KIT VITON)	1
27	80.3218.00.2	O-RING 3,0x22	1
28	31.1516.09.2	DIRECTIONAL FITTING G. 3/4	1
29	31.1517.61.2	FLANGE	1
30	86.2108.00.2	SCREW M6x16 UNI5931	2
31	86.3696.00.2	SCREW M12X25 UNI5931	4

POS.	CODICE PART NO. REF.	DENOMINAZIONE - DESCRIPTION - DESCRIPTION	Q.TY
32	85.2585.00.2	CAP EI G.3/8	1
33	23.0319.61.2	MOUNTING RAIL	1
34	86.2216.00.2	SCREW M6x25 UNI5931	6
35	23.0202.09.2	CRANKCASE COVER	1
36	80.2134.50.2	OIL SEAL	1
37	23.0323.32.2	LOWER BALLASTER	1
38	40.0011.31.2	BALLASTER DIAPHRAGM	1
38	40.0011.33.2	VITON BALLASTER DIAPH.	1
39	23.0322.09.2	BALLASTER COVER	1
40	86.1605.00.2	AIR VALVE	1
41	86.3638.00.2	SCREW M10x110 UNI 5931	4
42	80.3208.00.2	O-RING 2,62X31,42	1
43	23.0080.46.2	NIPPLES M36X1,5- G.1"1/2	1
44	80.3219.10.2	O-RING 3,0x30	1
45	84.0591.00.2	90° ELBOW CONNECTOR DIA.40-1,57"	1
45	84.0571.00.2	90° ELBOW CONNECTOR DIA.38-1,49" (OPT.)	1
46	82.0070.00.A	WING NUT G.1"1/2	1
47	23.0320.61.2	MOUNTING RAIL	1
48	81.2846.00.2	BEARING DIA.35x72x17	1
49	23.0019.76.2	RING	1
50	26.0047.76.2	RING	1
51	23.0076.26.2	CRANKSHAFT"VD"	1
52	81.2972.00.2	BEARING DIA.55x90x18	1
53	80.1430.00.2	SNAP RING DIA.90	1
54	80.2253.05.2	OIL SEAL	1
55	17.0013.61.2	COVER	1
56	86.3185.00.2	SCREW M10x16 UNI5739	4
57	80.3180.00.2	O-RING 2,62x15,08	1
58	28.0144.32.2	OIL FILLER CAP	1
59	41.0017.31.2	DIAPHRAGM OIL FILLER	1
60	14.0116.32.2	DIAPHRAGM SPACER	1
61	55.0004.32.2	OIL FILLER	1
62	84.3685.00.2	WASHER DIA.8,4x15x1,5	2
63	86.2683.00.2	SCREW M8x25 UNI5931	2
70	86.2086.00.2	SCREW M6x14 UNI5931 (OPTIONAL)	3
71	84.3618.00.2	WASHER (OPTIONAL)	3
72	31.1467.32.2	SAFETY CONE (OPTIONAL)	1
73	24.3040.97.3	SAFETY VALVE 40bar (OPTIONAL)	1
74	81.2972.00.2	RING	1
75	23.0091.26.2	SHAFT "VC"	1
75	23.0092.26.2	SHAFT "VM"	1
76	80.2264.10.2	OIL SEAL	1